

Model: B 2 10 Y

Data

Type: Semi-hermetic piston compressors

Producer: Frascold

Series: B

Model: B 2 10 Y

Technical data

Nominal motor power [kW/HP]:	1,5 / 2
Cylinder count:	2
Displacement [m ³ /h]:	9,84
Cylinder capacity [cm ³]:	56,55
Cylinder bore [mm]:	40
Cylinder stroke [mm]:	45
RPM [min ⁻¹]:	1450
Weight net [kg]:	40
Weight gross [kg]:	41
Oil charge [dm ³]:	1,2

Electrical data

Power supply [V/~ /Hz]:	230V/3/50 Δ	400V/3/50 Y
Locked rotor current [A]:	37,6	21,7
Max. operating current [A]:	9,9	5,7

Connections

	<u>milimeters</u>	<u>inches</u>
Suction line:	19	3/4
Discharge line:	15,8	5/8

Model: B 2 10 Y

Capacity


R22

Cooling capacity [W]

$t_c \setminus t_e$	12.5	7.5	5	0	-5	-10	-15	-20	-25	-30
30	13 620	11 380	10 390	8 610	7 090	5 780	4 670	3 710	2 900	2 210
40	12 150	10 140	9 240	7 640	6 720	5 090	4 070	3 210	2 480	1 860
45	11 420	9 520	8 680	7 160	5 860	4 750	3 780	2 970	2 270	1 690
50	10 660	8 890	8 100	6 680	5 450	4 400	3 500	2 720	2 070	1 520

Power input [W]

$t_c \setminus t_e$	5	-10	-20	-30
40	2 210	2 060	1 740	1 290

 With head cooling

Operating conditions: suction gas temperature 20°C, 0K subcooling

t_c - Condensing temperature [°C]

t_e - Evaporating temperature [°C]

Model: B 2 10 Y

Capacity

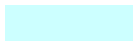
R134a

Cooling capacity [W]

$t_c \setminus t_e$	12.5	7.5	5	0	-5	-10	-15	-20
50	6 920	5 720	5 180	4 210	3 370	2 640	2 010	1 480
60	5 930	4 880	4 400	3 550	2 800	2 160	1 610	1 130
70	4 920	4 060	3 620	2 880	2 240	1 680	1 200	790
80	3 890	3 160	2 830	2 220	1 680	1 220	810	470

Power input [W]

$t_c \setminus t_e$	12.5	5	0	-10
60	2 140	1 810	1 590	1 180

 With head cooling

Operating conditions: suction gas temperature 20°C, 0K subcooling

t_c - Condensing temperature [°C]

t_e - Evaporating temperature [°C]

Model: B 2 10 Y

Capacity

R404A/R507

Cooling capacity [W]

$t_c \setminus t_e$	7.5	5	0	-5	-10	-15	-20	-25	-30	-35
30	12 210	11 180	9 360	7 770	6 410	5 230	4 220	3 340	2 600	1 960
40	10 400	9 530	7 970	6 620	5 440	4 420	3 540	2 770	2 120	1 560
45	9 450	8 670	7 270	6 030	4 950	4 010	3 190	2 480	1 870	1 350
50	8 500	7 800	6 540	5 430	4 460	3 600	2 850	2 200	1 630	1 150

Power input [W]

$t_c \setminus t_e$	5	-10	-20	-30
40	2 550	2 320	2 040	1 710

With head cooling

Operating conditions: suction gas temperature 20°C, 0K subcooling

t_c - Condensing temperature [°C]

t_e - Evaporating temperature [°C]

Model: B 2 10 Y

Capacity

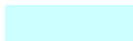
R407C

Cooling capacity [W]

$t_c \setminus t_e$	12.5	7.5	5	0	-5	-10	-15	-20	-25
30	12 940	10 750	9 780	8 060	6 580	5 320	4 240	3 330	2 550
40	11 350	9 430	8 580	7 060	5 740	4 610	3 640	2 810	2 110
45	10 520	8 760	7 970	6 550	5 310	4 240	3 330	2 550	1 880
50	9 670	8 060	7 340	6 020	4 870	3 880	3 020	2 280	1 650

Power input [W]

$t_c \setminus t_e$	7.5	0	-10	-20
40	2 460	2 250	1 890	1 520

 With head cooling

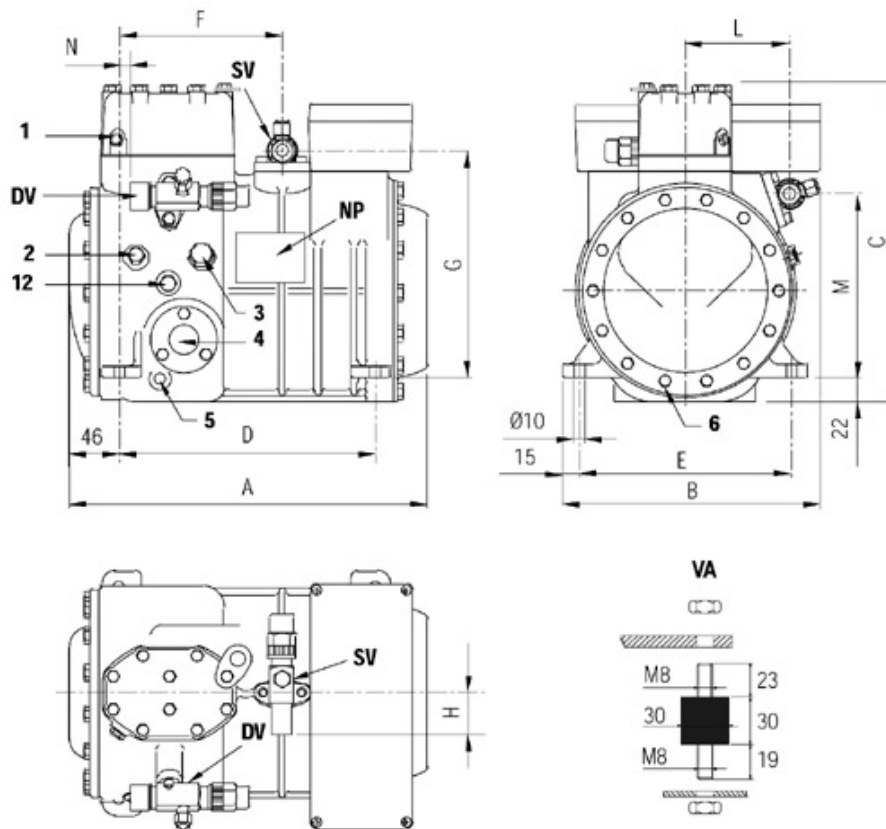
Operating conditions: suction gas temperature 20°C, 0K subcooling

t_c - Condensing temperature [°C]

t_e - Evaporating temperature [°C]

Model: B 2 10 Y

Dimensions



A	328 mm
B	236 mm
C	294 mm
D	234 mm
E	194 mm
F	150 mm
G	207 mm
H	37 mm
L	95 mm
M	168 mm
N	15 mm

1: high pressure plug
3: oil charge plug
5: crankcase heater seat
12: oil return plug
NP: name plate

2: low pressure plug
4: oil level sight glass
6: oil drain plug
DV: discharge valve
SV: suction valve

Model: B 2 10 Y

Image

